

DIMM module
ML-PWM



DIMM module ML-PWM

The DIMM module ML-PWM is designed for dimming our LED machine and workplace lights with a high impedance input. Es können somit mehrere Leuchten gleichzeitig gedimmt werden. Thus several lights can be dimmed at the same time.

The DIMM module is fitted into a thin top-hat rail housing and can thus be fitted in a space-saving manner into control cabinets with top-hat rail systems.

TECHNICAL DATA

- Power supply 21-27 V DC
- Max. ambient temperature max. 60° C
- PWM frequency: ca. 600 Hz
- PWM output current: Ri 500 Ohm/max. 25 mA
- Ampacity P4: 10 A complete customized terminal box 24 V/4 A with and without integrated dimming
- Thin top-hat rail housing 1 TE (17.8 mm)
- 4 various DIMM functions
- Integrated reverse polarity/overvoltage and temperature protection

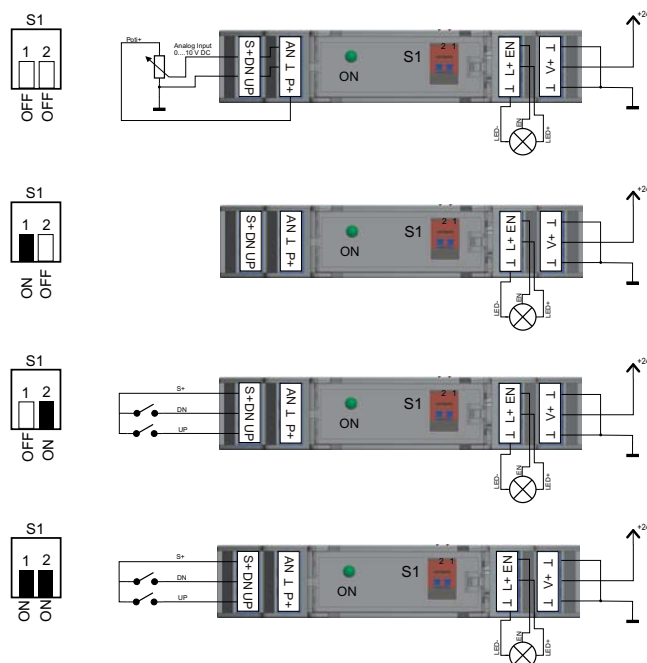
Functions:

Analogue: The lights can be dimmed from approx. 8% - 100% in an infinitely variable manner using a potentiometer > 10 kOhm or an external analogue signal of 1.5 - 9 V DC to "ON". The LED is permanently lit.

Ramp time: When the DIMM module is switched on, the LED lights will be smoothly switched to a dimming level of 0% - 100% in a ramp time of 0.5 seconds. The LED is permanently lit.

Digital: The lights are switched on at a default dimming level of approx. 85%. The dimming level can be set in 8 stages from approx. 10% - 100% by sending external sequential switching impulses to "UP" and "DN". Simultaneous impulses sent to UP/DN will switch the lights on or off. The LED is lit if the PWM is switched on. If the lights are switched off, the LED also goes out.

Levels: Depending on the input signal sent to "UP" and "DN", the connected lights can be dimmed in four levels: 0%/25%/75%/100%. The LED is lit if the PWM is switched on. If the lights are switched off (0%), the LED goes out.



ACCESSORIES OPTIONAL

- AL control panel UP/DN

