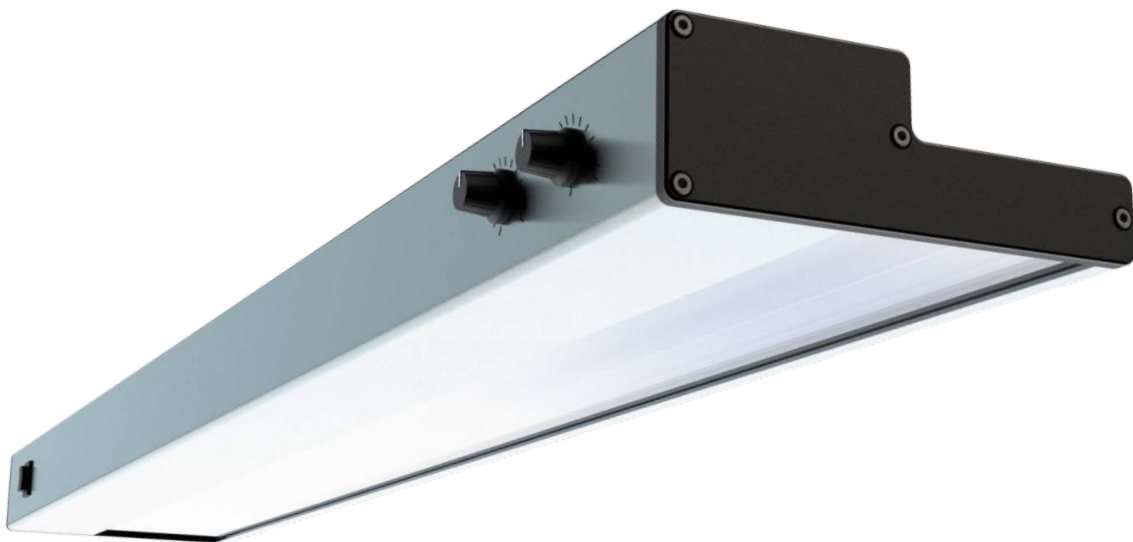


Workplace lights
Series AL-x-ERGO



Workplace lights

Series AL-x-ERGO

AL-x-ERGO series workplace lamps designed for integration in industrial system workplaces. High lighting quality demands during assembly work and visual inspections require the use of **glare-free working light**, a **high light colour rendering index (Ra)** for material colours, adjustable brightness and adjustable colour temperature for fatigue-free working.

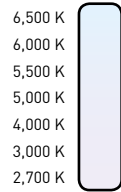
Sustainability is ensured through high-efficiency LEDs and durable components.



TECHNICAL DATA

- Power supply 230 V AC/50Hz
- Wieland GST18i3 connection systems
- 2x glare suppression
- Integrated dimming
- Adjustable light colour 2,700-6,500 K
- Colour rendering index Ra ≥ 90
- Max. ambient temperature 40° C
- IP 40 protection class, protection class 1

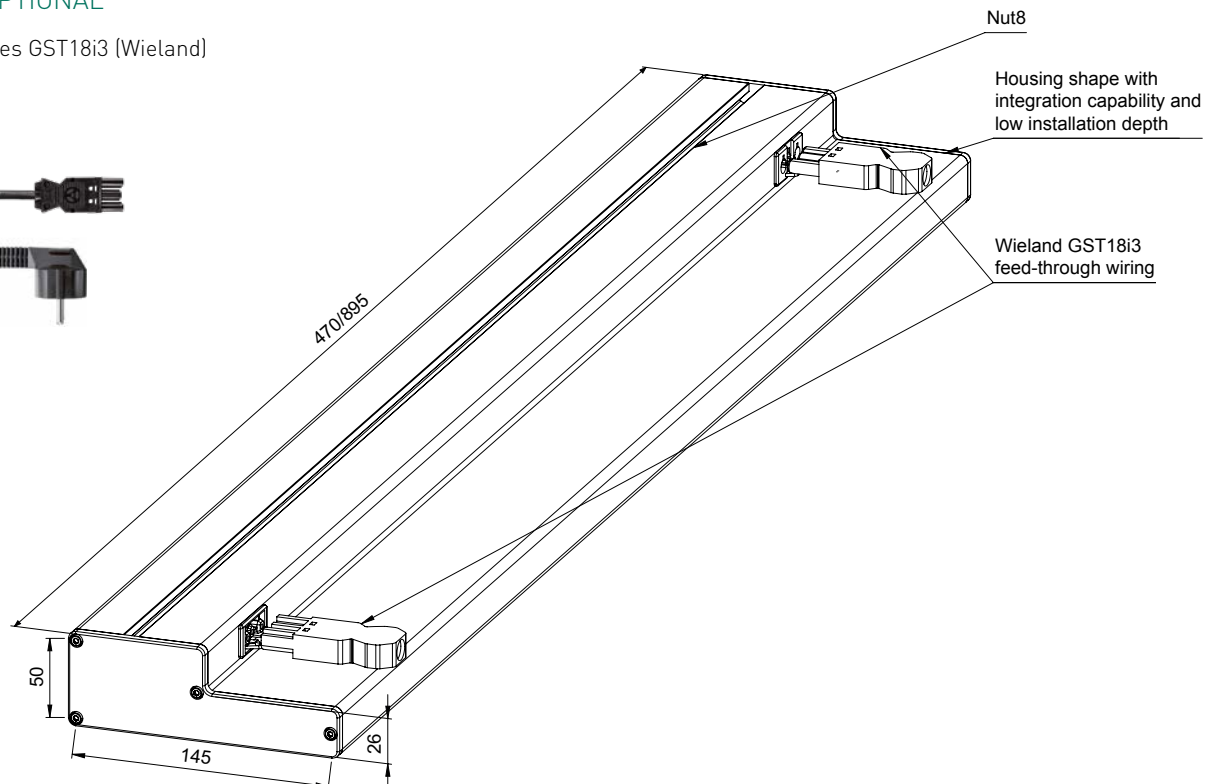
Cold white




Warm white

ACCESSORIES OPTIONAL

- Connection cables GST18i3 (Wieland)



Typ	Power consumption (V DC)	Rated power (W)	Dimensions L x W x H (mm)	Connection	Part no.
Version with GST18i3 					
AL-30-ERGO	200-240	30	470 x 145 x 50	GST18i3	11356
AL-60-ERGO	180-264	60	895 x 145 x 50	GST18i3	11357