

Machine lights  
Series ML-x-45



System  
profile  
housing  
45°

# Machine lights Series ML-x-45

The machine light allows for compact dimensions easy mechanical integration into machines without significantly restricting the space available. A simple electrical installation will be carried over directly to 24 V DC M12 Connector systems.

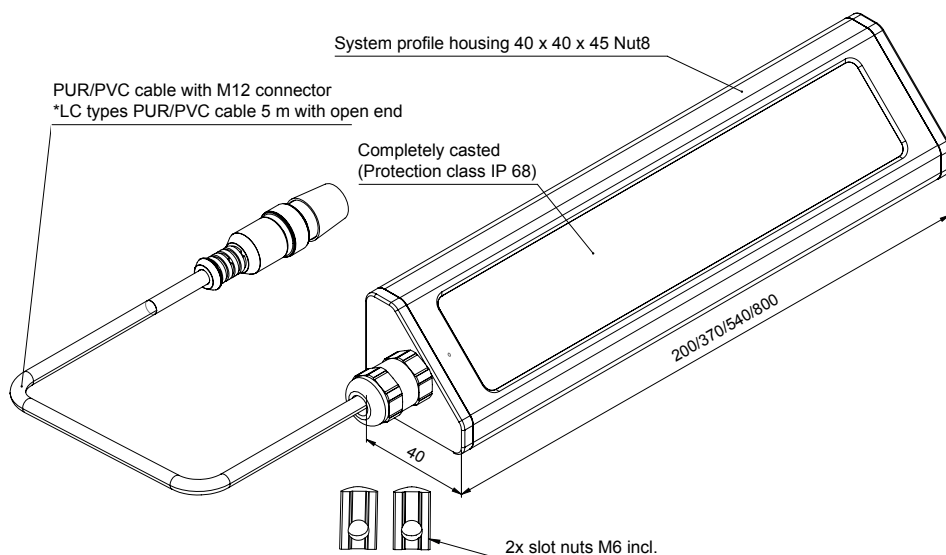
With a robust aluminum housing and a weatherproof, UV resistant and crystal clear polyurethane casting, the LED light from the environment and numerous chemicals such as alkalis, acids and oils, is protected.

The highly efficient LEDs have a beam angle of 100° and produce a homogeneous, flicker-free light.

The ML-Series are available in 5 sizes and two built-in M6 nuts are provided for corner mounting.

## TECHNICAL DATA

- Power supply 21-27 V DC
- Connection with M12 connector plug/250 mm PUR/PVC cable or 5 m PUR/PVC cable with open end
- Remote control with 24 V signal
- Dimming with PWM signal
- Resistant to shock or vibration
- Compact, robust design
- Robust aluminium housing
- Integrated overvoltage and temperature protection
- 2x slot nuts M6 are included
- Max. ambient temperature 50° C
- Flicker-free illumination in daylight quality, colour temperature 5,700 K, Ra≥90
- Protection class IP 68, protection class 3



Type	Power consumption (mA)	Luminous flux (lumen)	Illuminance (lux) 1 m	Dimensions L x B x H (mm)	Weight (gram)	Connection	Part no.
Version with M12 connector							
ML-6-45	270	~700	230	200 x 40 x 40	310	M12 connector	10204
ML-12-45	540	~1,400	460	370 x 40 x 40	570	M12 connector	10205
ML-18-45	800	~2,100	600	540 x 40 x 40	850	M12 connector	10214
ML-24-45	1,100	~2,800	900	540 x 40 x 40	860	M12 connector	10250
ML-36-45	1,600	~3,500	1,100	800 x 40 x 40	1,200	M12 connector	10292
Version with 5 m PUR/PVC cable							
ML-6-45 LC	270	~700	230	200 x 40 x 40	470	5 m PUR/PVC	10276
ML-12-45 LC	540	~1,400	460	370 x 40 x 40	730	5 m PUR/PVC	10263
ML-18-45 LC	800	~2,100	600	540 x 40 x 40	1,000	5 m PUR/PVC	10266
ML-24-45 LC	1,100	~2,800	900	540 x 40 x 40	1,050	5 m PUR/PVC	10270
ML-36-45 LC	1,600	~3,500	1,100	800 x 40 x 40	1,350	5 m PUR/PVC	10498