

Stainless steel machine lights
Series ML-x-UFE
Series ML-x-UFER



Completely
casted

Stainless
steel housing

Optional
glass front

Stainless steel machine lights

Series ML-x-UFGE

The stainless steel machine series is suitable for production manufacture foodstuffs and other industry sectors with very high hygienic requirements.

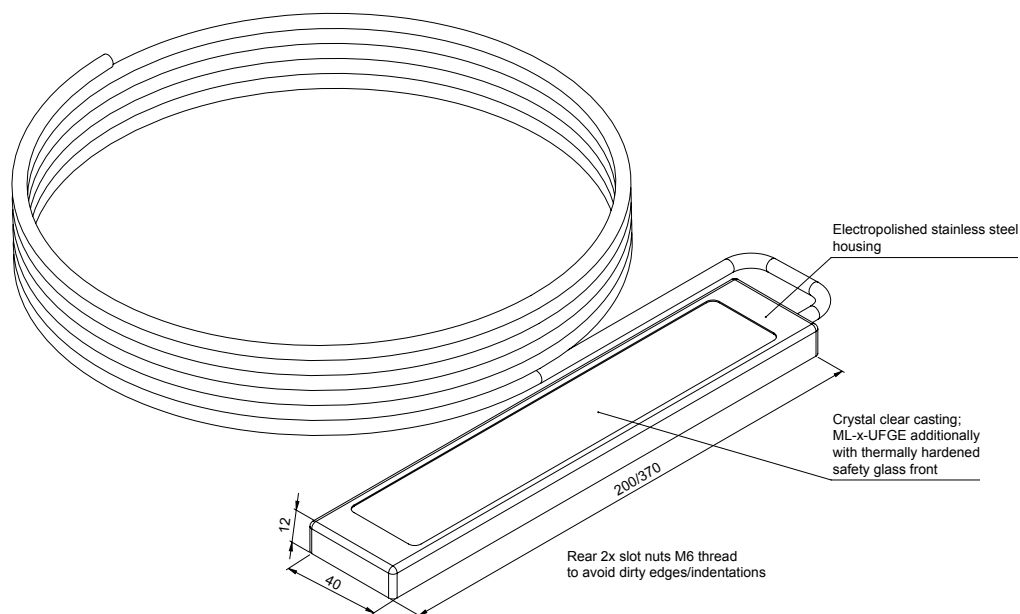
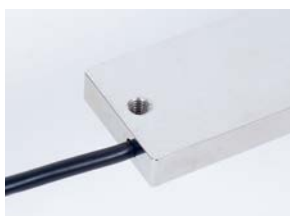
The rear installation of the lights means that the easy-to-clean front section does not contain any drilled holes and seams on which residues could accumulate.



With a UV resistant and crystal clear polyurethane casting, the LED stainless steel machine light from the environment and numerous chemicals such as alkalis, acids and oils, is protected.

The highly efficient LED produce a wide beam angle of 100° and a flicker-free light in the usual daylight quality.

TECHNICAL DATA

- Operating voltage 21-27 V DC
- 3 m PVC cable with open end
- Powerless remote control with 24 V signal
- Dimming with PWM signal
- Resistant to shock or vibration
- Compact, robust and particularly flat design
- Electropolished stainless steel housing
- Completely encapsulated with crystal clear polyurethane casting
- Optional hardened glass cover front (ML-x-UFGE)
- Fixing on rear with M6 thread
- Integrated overvoltage and temperature protection
- Flicker-free illumination in daylight quality, color temperature 5,700 K, Ra ≥ 90
- Protection class IP 68 (ML-x-UFGE)
- Protection class IP 68 / IP 69 K (ML-X-UFGE), protection class 3



Type	Part no.	Power consumption (mA)	Illuminance (lux) 1 m	Dimensions L x W x H (mm)	GTIN / EAN
Version completely casted, with 3 m PVC / PVC cable 					
ML-6-UFGE	10637	270	230	200 x 40 x 12	4262388140747
ML-12-UFGE	10286	540	460	370 x 40 x 12	4262388140532
Version completely casted and hardened glass cover, with 3 m PVC / PVC cable 					
ML-6-UFGE	10872	270	210	200 x 40 x 12	4262388140792
ML-12-UFGE	10577	540	420	370 x 40 x 12	4262388140679

Stainless steel machine lights

Series ML-x-UFER

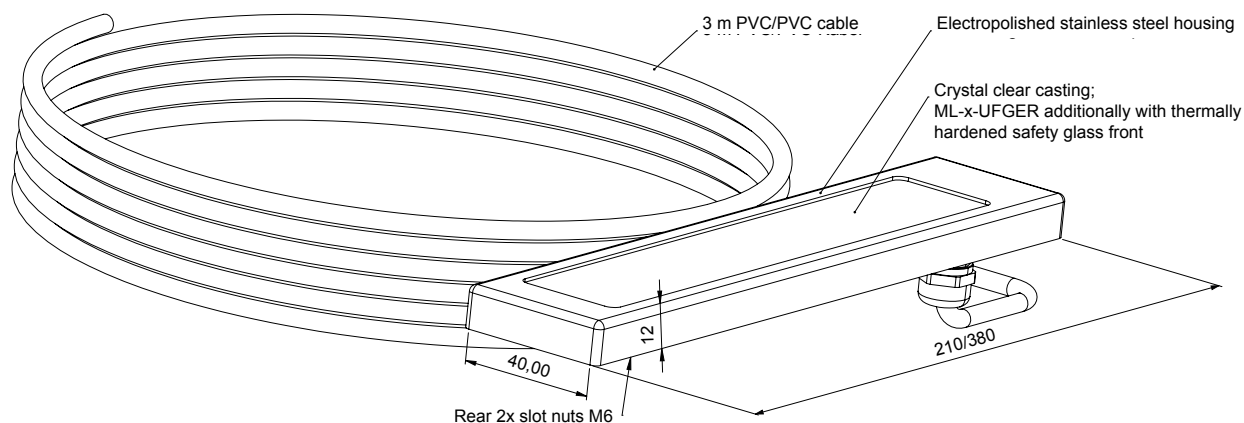
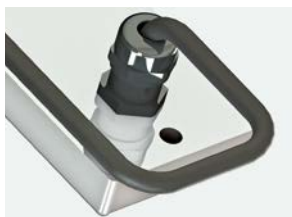
The stainless steel machine series ML-x-UFER is suitable for production plants with very **high hygienic requirements**. The easy-to-clean front section does not contain any drilled holes and seams on which residues could accumulate. It results from the rear installation. The lights are completely casted.

The **stainless steel full metal casing** is electropolished. A version with **hardened glass cover front** in order to increase the chemical resistance can be chosen optionally (ML-x-UFGER).

The stainless steel machine lights of this series are being offered with a 3 m PVC/PVC cable which exits on the reverse of the housing.

TECHNICAL DATA

- Operating voltage 21-27 V DC
- Illumination in daylight quality
- Colour temperature: 5,700 K
- Color rendering index: Ra ≥ 90
- Max. ambient temperature 50° C
- Integrated overvoltage, current and temperature protection
- Protection class 3
- Protection class IP 68 / IP 69 K
- Cable outlet on the reverse side



Type	Part no.	Power consumption (mA)	Illuminance (lux) 1 m	Dimensions L x W x H (mm)	GTIN / EAN
Version completely casted, with 3 m PVC / PVC cable					
ML-6-UFER	11155	270	230	210 x 40 x 12	4262388141386
ML-12-UFER	11157	540	460	380 x 40 x 12	4262388141409
Version completely casted and hardened glass cover, with 3 m PVC / PVC cable					
ML-6-UFGER	11156	270	230	210 x 40 x 12	4262388141393
ML-12-UFGER	11158	540	460	380 x 40 x 12	4262388141416