

Machine lights
Series ML-x



Machine lights

Series ML-x

The machine light allows for compact dimensions easy mechanical integration into machines without significantly restricting the space available. A simple electrical installation will be carried over directly to 24 V DC M12 Connector systems.

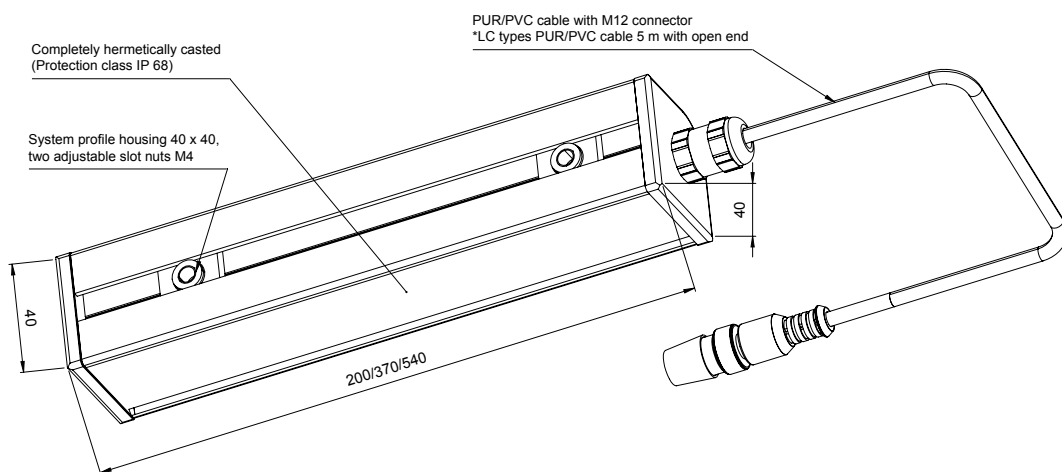
With a robust aluminum housing and a weatherproof, UV resistant and crystal clear polyurethane casting, the LED light from the environment and numerous chemicals such as alkalis, acids and oils, is protected.

The highly efficient LEDs have a beam angle of 100° and produce a homogeneous, flicker-free light.

The ML-Series are available in 4 power classes and two built-in M6 nuts are provided for wall mounting.

TECHNICAL DATA

- Power supply 21-27 V DC
- Connection with M12 connector plug/250 mm PUR/PVC cable or 5 m PUR/PVC cable with open end
- Remote control with 24 V signal
- Dimming with PWM signal
- Resistant to shock or vibration
- Compact, robust design
- Robust aluminium housing
- Integrated overvoltage and temperature protection
- Adjustable slot nuts M6
- Flicker-free illumination in daylight quality, colour temperature 5,700 K, Ra≥90
- Protection class IP 68, protection class 3



Type	Power consumption (mA)	Luminous flux (lumen)	Illuminance (lux) 1 m	Dimensions L x B x H (mm)	Weight (gram)	Connection	Part no.
Version with M12 connector							
ML-6	270	~ 700	230	200 x 40 x 40	320	M12 connector	10207
ML-12	540	~ 1,400	460	370 x 40 x 40	550	M12 connector	10206
ML-18	800	~ 2,100	600	540 x 40 x 40	770	M12 connector	10213
ML-24	1,100	~ 2,800	900	540 x 40 x 40	770	M12 connector	10247
Version with 5 m PUR/PVC cable							
ML-6 LC	270	~ 700	230	200 x 40 x 40	480	5 m PUR/PVC	10275
ML-12 LC	540	~ 1,400	460	370 x 40 x 40	700	5 m PUR/PVC	10264
ML-18 LC	800	~ 2,100	600	540 x 40 x 40	900	5 m PUR/PVC	10265
ML-24 LC	1,100	~ 2,800	900	540 x 40 x 40	900	5 m PUR/PVC	10269