

Signal lights
Series SL-x-TRIO-RT



Signal lights

Series SL-x-TRIO-RT

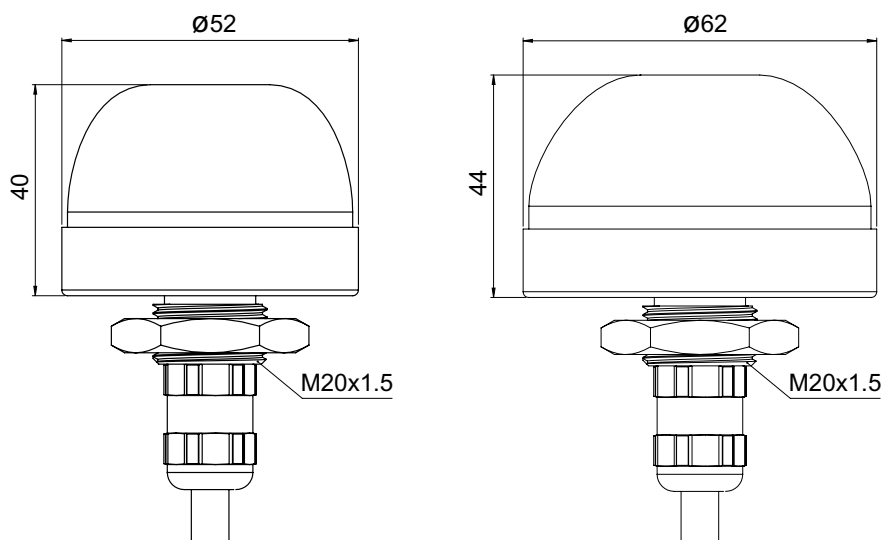
Distinctive characteristics of the **SL-x-TRIO R** signal light series are the low installation height with simultaneously homogeneous light in 4 signal colours, as well as the robust and high-quality aluminium housing available in two diameters of 50 mm and 60 mm.


The number of possible applications benefits from their individual design and their adherence with technical standards for industrial environments.

The 24 V DC operating voltage for each colour is supplied via a 4-pole PVC/PVC cable of 5 m in length or a M12 connector plug. The maximum ambient temperature is 50°C.

TECHNICAL DATA

- Power supply 21-27 V DC
- Robust aluminium housing
- Shock-resistant polycarbonate diffuser
- Signal colours in one light: Red/Yellow/Green/Blue
- Homogeneous light-emitting surface
- Integrated overcurrent and temperature protection
- IP 54 protection class, protection class 3



Type	Power consumption Colour Red/Yellow/Green/Blue (mA)	Dimensions Ø x H (mm)	Part no.
Version with 5 m PVC/PVC cable or M12 connector 			
SL-50-TRIO-RT/SL-50-TRIO-RT M12	40/80/40/40	52 x 59	11339/11340
SL-60-TRIO-RT/SL-60-TRIO-RT M12	80/160/80/800	62 x 64	11341/11342