


Signal lights
Series SL-x-TRIO-RT
Series SL-x-TRIO-RT IOLINK



Self-
diagnosis

High-quality
design with
full metal
housing

Optionally available

 **IO-Link**

Signal lights

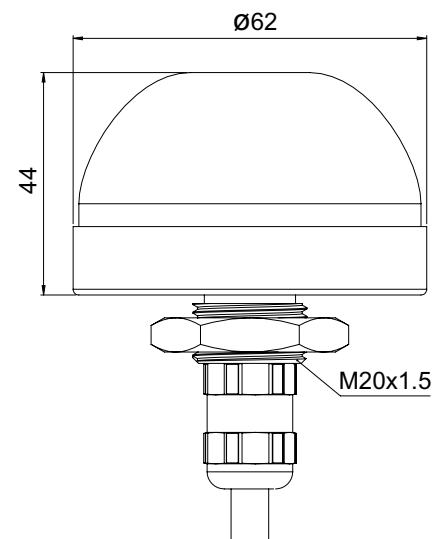
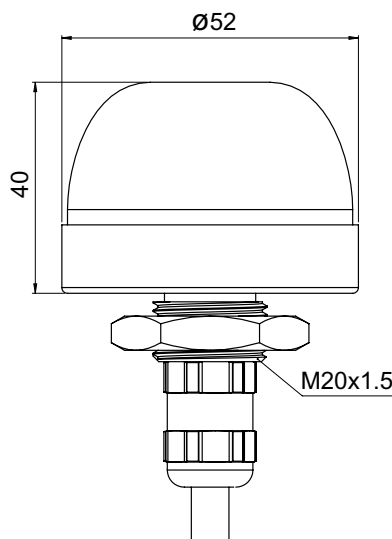
Series SL-x-TRIO-RT



Distinctive characteristics of the **SL-x-TRIO R** signal light series are the low installation height with simultaneously homogeneous light in 4 signal colours, as well as the robust and high-quality aluminium housing available in two diameters of 50 mm and 60 mm.

The number of possible applications benefits from their individual design and their adherence with technical standards for industrial environments.

TECHNICAL DATA

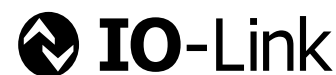
- Power supply 21-27 V DC
- Robust aluminium housing
- Signal colours in one light: Red/Yellow/Green/Blue
- Shock-resistant polycarbonate diffusor for homogeneous signal surface
- Integrated overcurrent and temperature protection
- Integrated reverse polarity protection
- IP 67 protection class, protection class 3



Type	Power consumption Colour Red/Yellow/Green/Blue (mA)	Dimensions Ø x H (mm)	Part no.
Version with M12 connector 			
SL-50-TRIO-RT M12	40/80/40/40	52 x 40	11340
SL-60-TRIO-RT M12	80/160/80/800	62 x 44	11342
Version with 5 m PVC/PVC cable 			
SL-50-TRIO-RT	40/80/40/40	52 x 40	11339
SL-60-TRIO-RT	80/160/80/800	62 x 44	11341

Signal lights

Series SL-x-TRIO-RT IOLINK



Low construction height with simultaneous homogeneous display of various colors (24 bit color depth) as well as a robust and high quality aluminum housing in two diameter sizes of 52 mm and 62 mm are unmistakable characteristics of the signal light series **SL-x-TRIO-RT IOLINK**.

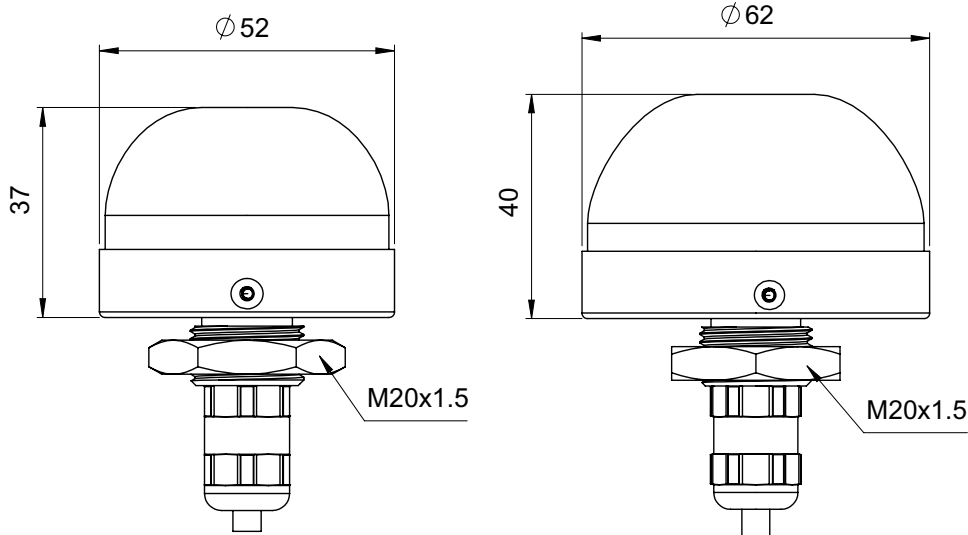
Your application gains an individual design while maintaining technical standards in the industrial environment.

With the intelligent signal lights with **IO link interface**, you always know how the signaling device is functioning. Conventional manual function tests (lamp tests) are no longer necessary.

You can also parameterize these signal lights with **signal functions (flashing, flashing frequency, flash, etc.)** at any time via the IO link interface..

TECHNICAL DATA

- Power supply 20-30 V DC
- IO link interface COM2
- Connection with 3 m PVC/PVC cable or M12 connector plug
- Shock-resistant polycarbonate diffusor for homogeneous signal surface
- High shock resistance: No internal oscillators and inductances sensitive to shock
- All RGB colours adjustable
- Parameterisable via IO link:
 - 24-bit RGB colour table
 - Permanent function, flashing frequency and interpulse period, dimming, signal colour
- Integrated LED current monitor with error event output
- Temperature monitoring
- IP 67 protection class, protection class 3



Type	Power consumption Colour Red/Yellow/Green/Blue (mA)	Dimensions Ø x H (mm)	Part no.
Version with M12 connector 			
SL-50-TRIO-RT IOLINK M12	40/80/40/40	52 x 37	11372 
SL-60-TRIO-RT IOLINK M12	80/160/80/800	62 x 40	11374 
Version with 3 m PVC/PVC cable 			
SL-50-TRIO-RT IOLINK LC	40/80/40/40	52 x 37	11371 
SL-60-TRIO-RT IOLINK LC	80/160/80/800	62 x 40	11373 