

Signal lights
Series SL-x-TRIO Corner IO-LINK



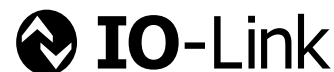
Piezo
transducer

Self-
diagnosis



Signal lights

Series SL-x-TRIO Corner IOLINK



The **SL-x-TRIO Corner IOLINK** signal lights series is based on a system profile housing with a 20 mm grid. An easy mounting in machines and apparatus is achieved by means of two included movable slot nuts.

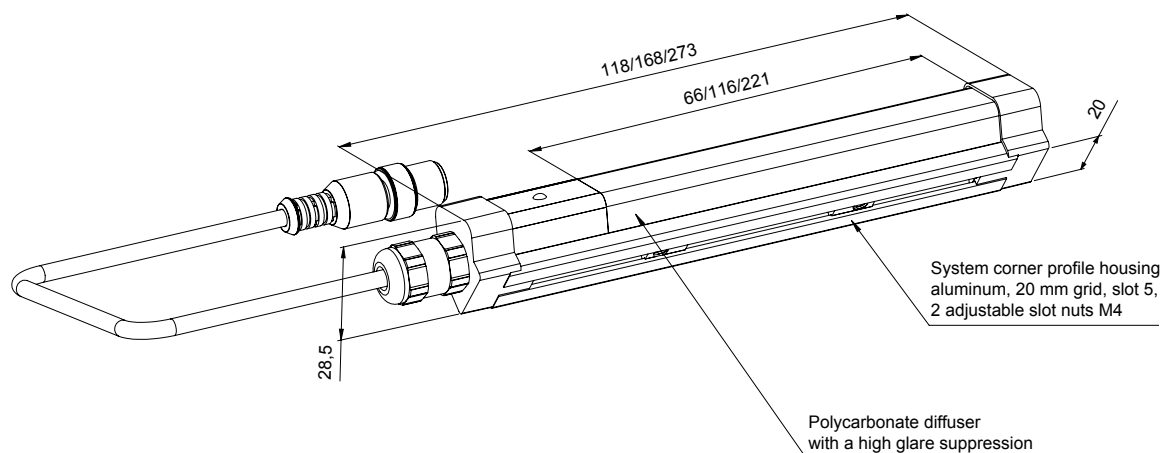
The front optic is made of shock-resistant and shatterproof polycarbonate. The high degree of diffusion enables a homogeneous signal illuminated area.

With an IO link interface, these intelligent signal lights ensure that you know how your transducer is functioning at all times. Conventional manual function tests (lamp tests) are dispensed with.

In addition, you can parameterise the colours and signal functions and the frequency and tone intervals of the integrated piezo buzzer at any time for these signal lights via the IO link interface.

TECHNICAL DATA

- Power supply 20-30 V DC
- IO link interface COM 2
- Connection with 3 m PVC/PVC cable or M12 connector plug
- Shock-resistant polycarbonate diffusor for homogeneous signal surface
- High shock resistance: No internal oscillators and inductances sensitive to shock
- All RGB colours adjustable
- Integrated piezo transducer
- Parameterisable via IO link:
 - 24-bit RGB colour table
 - Permanent function, flashing frequency and interpulse period, dimming, signal colour
 - Buzzer frequency 2,500-4,000 Hz
 - Continuous tone, interpulse period and audio signal
- Integrated LED current and buzzer current monitor with error event output
- IP 54 protection class, protection class 3



Type	Power consumption max. (mA)	Dimensions L x W x H (mm)	Connection	Part no.
Version with M12 connector				
SL-05-TRIO Corner IOLINK M12	70	118 x 28,5 x 20	M12 connector	11362
SL-1-TRIO Corner IOLINK M12	160	168 x 28,5 x 20	M12 connector	11364
SL-2-TRIO Corner IOLINK M12	200	273 x 28,5 x 20	M12 connector	11366
Version with 3 m PVC/PVC cable				
SL-05-TRIO Corner IOLINK LC	70	118 x 28,5 x 20	3 m PVC/PVC	11361
SL-1-TRIO Corner IOLINK LC	160	168 x 28,5 x 20	3 m PVC/PVC	11363
SL-2-TRIO Corner IOLINK LC	200	273 x 28,5 x 20	3 m PVC/PVC	11365