

Workplace lights
AL-9-BK



*Slim
and
flexible*

Workplace lights

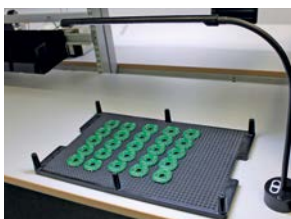
AL-9-BK

Our dimmable workplace lamp AL-9 is suitable for machine and workshop lighting even with shiny parts in daylight color. Modern LED technology provides you with high-energy efficiency in quality assurance and assembly work without disturbing thermal radiation.

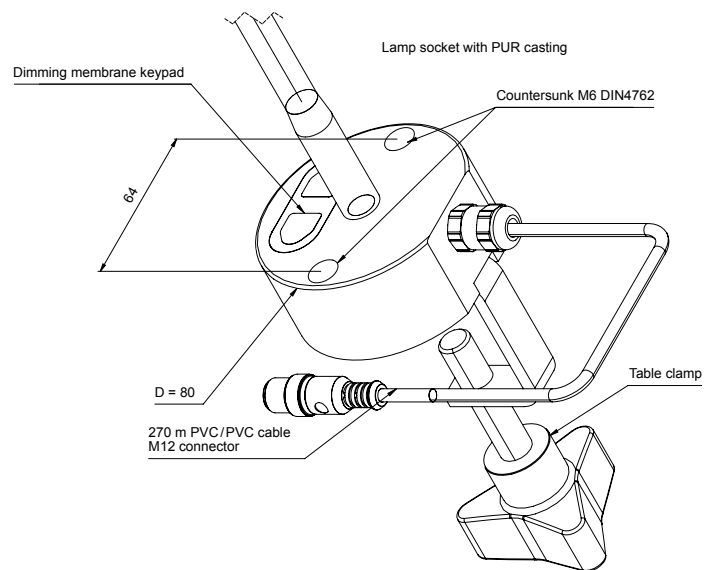
The shock- and vibration-proof LED task light AL-9 is designed with robust aluminum housings and partially encapsulated electronics for harsh industrial use and reach the protection class IP 54.

TECHNICAL DATA

- Power supply 21-27 V DC
- Connection with M12 connector system
- Daylight quality, color temperature 5,700 K
- Dimming via UP/DOWN membrane keypad
- Robust aluminium housing, front optics polycarbonat
- Resistant to impacts and vibrations
- Slim light head
- Flexible metal hose
- Versatile mountable
- Protection class IP 54

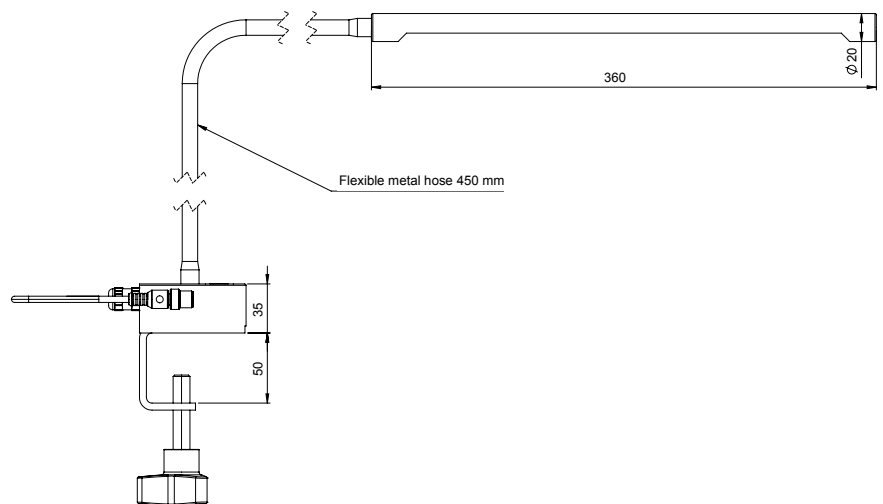


Applications samples



ACCESSORIES OPTIONAL

- Magnet holder AL-6-M
- Power supply SN-12-M12



Type	Part no.	Power consumption max. [A]	GTIN/EAN
Version with M12 connector			
AL-9-BK	10297	0.4	4262388141430